

JVC

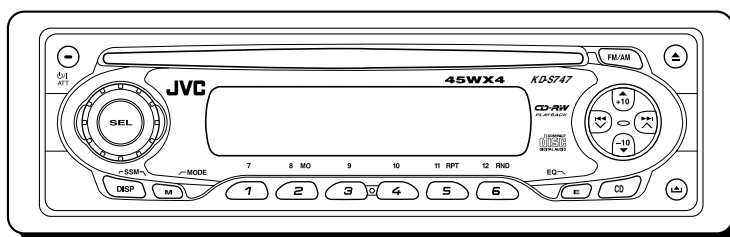
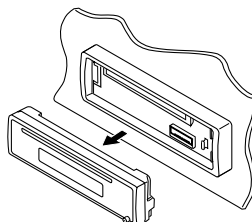
SCHEMATIC DIAGRAMS

CD RECEIVER

KD-S747

CD-ROM No.SML200303

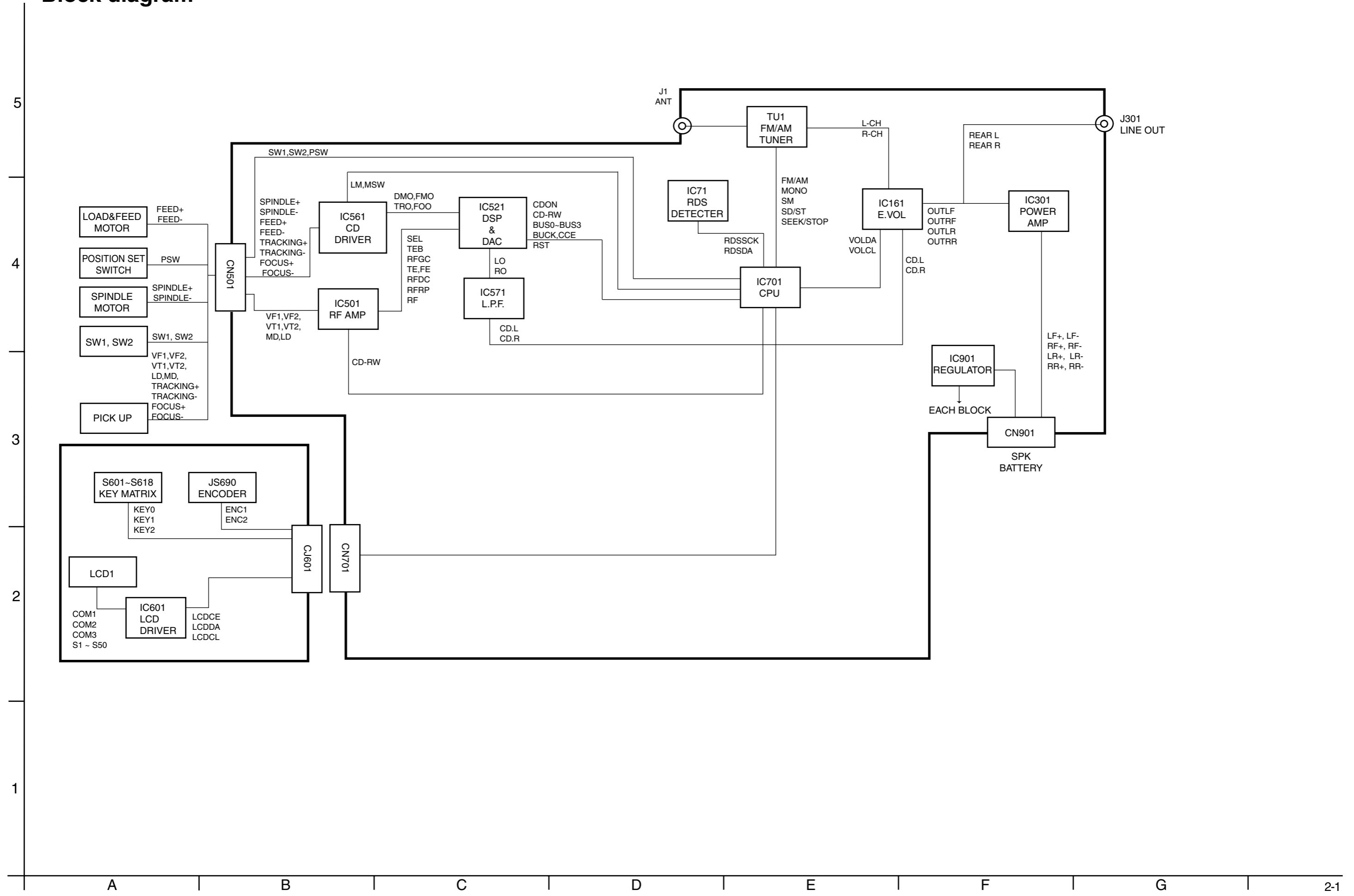
Area suffix
EE -----Russian Federation



Contents

Block diagram	2-1
Standard schematic diagrams	2-2
Printed circuit boards	2-5~7

Block diagram



Standard schematic diagrams

Main amplifier section

- NOTES
1. VOLTAGES ARE DC-MEASURED WITH A DIGITAL VOLT METER WITHOUT INPUT SIGNAL CONDITION—FM MODE. □ AM MODE. | CD MODE.
 2. UNLESS OTHERWISE SPECIFIED:
ALL RESISTORS ARE 1/4W 25% METAL GLAZE RESISTOR.
ALL CAPACITORS ARE 50V OR 25V CERAMIC CAPACITOR.
ALL RESISTANCE VALUES ARE IN OHM.
ALL CAPACITANCE VALUES ARE IN μF (P=PF)
ALL C CAPACITORS ARE SHOWN IN THE FORM OF CAPACITANCE(μF)/RATED VOLTAGE(V)
ALL INDUCTOR VALUES ARE IN μH .
 3. COMPONENTS IN () INDICATE NOT USE.

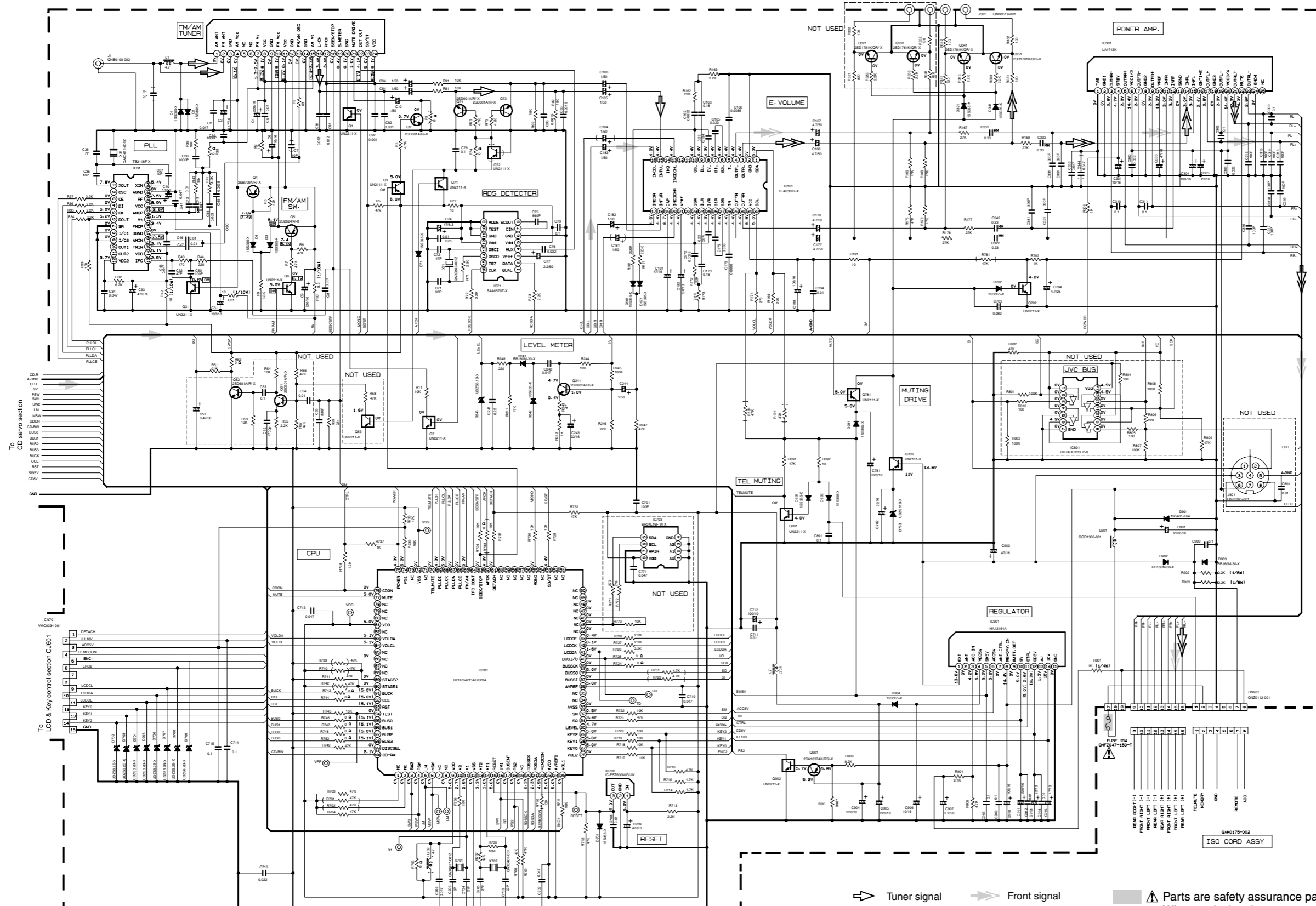
FRONT R
A. GND FRONT L
REAR R
A. GND REAR L

	10K	UN2211-X
	10K	UN2111-X

LINE OUTPUT

NOT USED

POWER AMP.

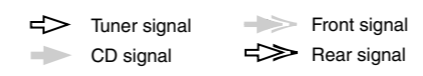


5
4
3
2
1

To CD servo section

To LCD & Key control section CUB01

MAIN PWB GEB10074A



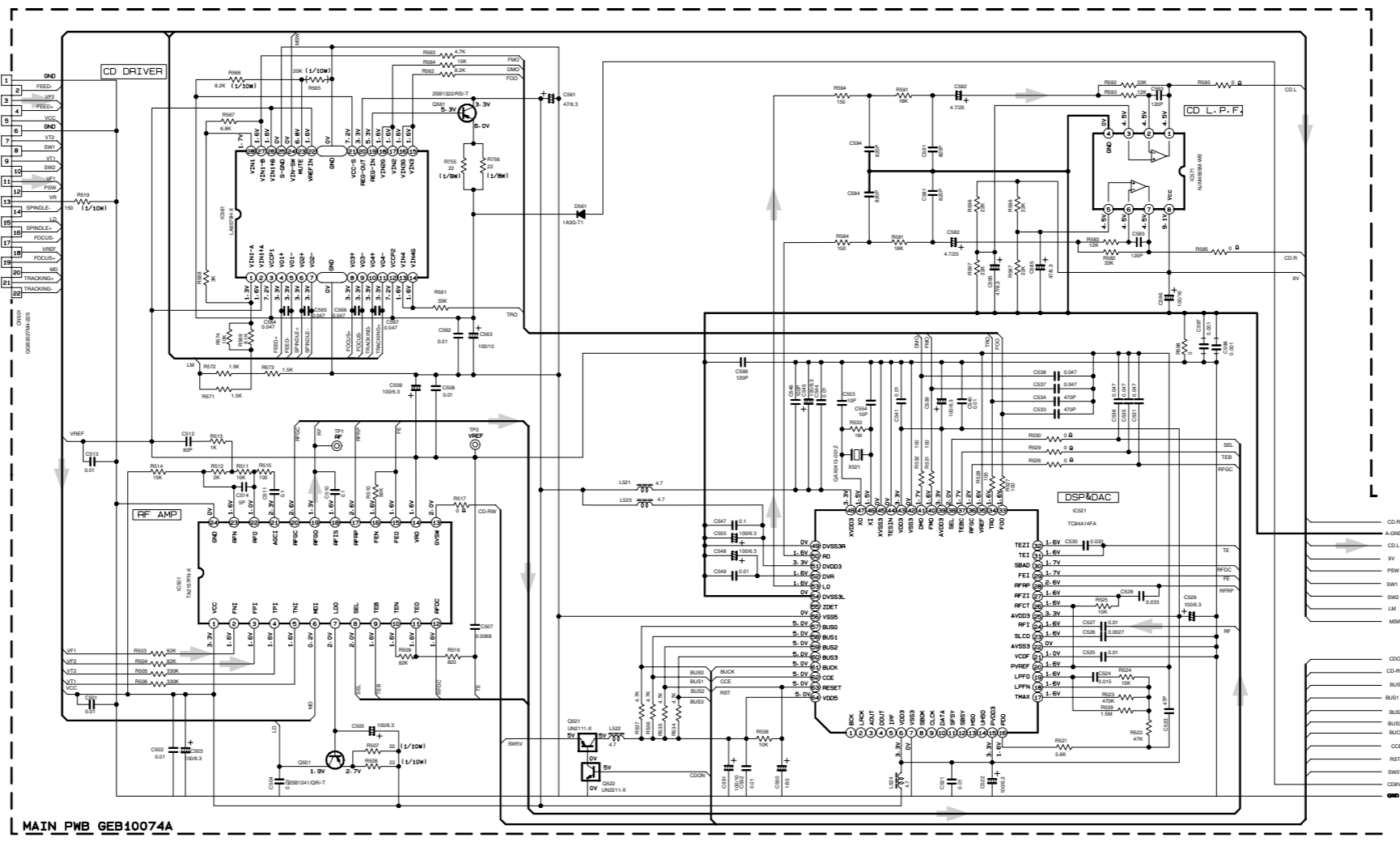
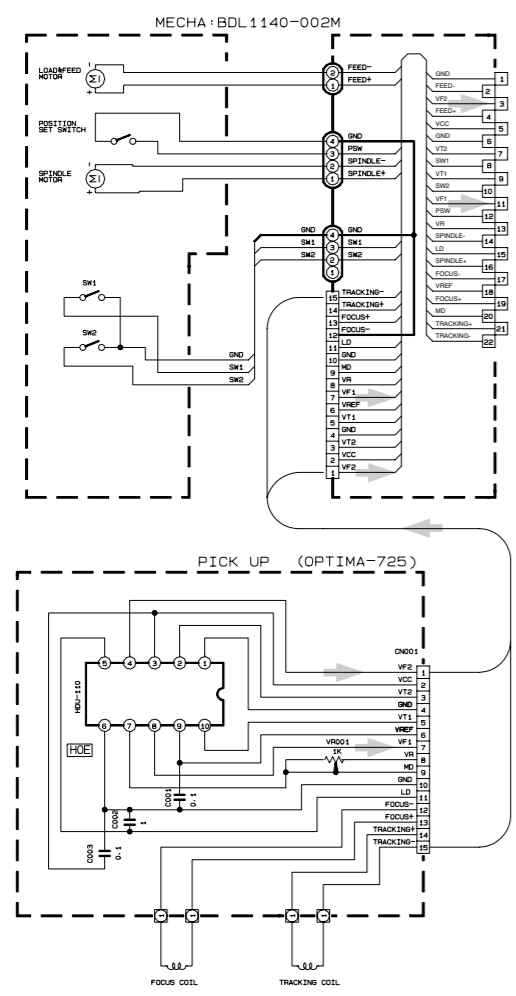
Parts are safety assurance parts. When replacing those parts make sure to use the specified one.

A B C 2-2 D E F G H

CD servo control section

5
4
3
2
1

	10K		UN2211-X
	10K		UN2211-X



To Main amplifier section

➔ CD signal

- NOTES
1. VOLTAGES ARE DC-MEASURED WITH A DIGITAL VOLT METER WITHOUT INPUT SIGNAL CONDITION — CD MODE.
 2. UNLESS OTHERWISE SPECIFIED, ALL RESISTORS ARE 1/10W ±5% METAL GLAZE RESISTOR. ALL CAPACITORS ARE 50V OR 25V CERAMIC CAPACITOR. ALL RESISTANCE VALUES ARE IN OHM. ALL CAPACITANCE VALUES ARE IN UF (p=PF) ALL INDUCTOR VALUES ARE IN UH. ALL E-CAPACITORS ARE SHOWN IN THE FORM OF CAPACITANCE(UF)/RATED VOLTAGE(V)

LCD & Key control section

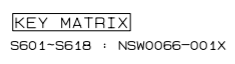
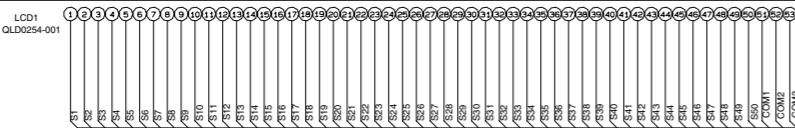
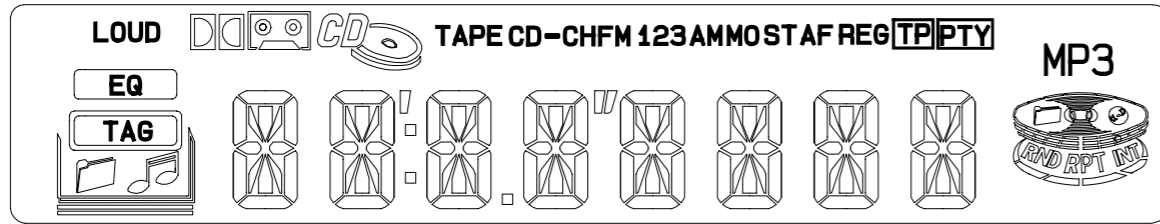
5

4

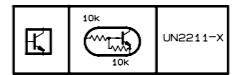
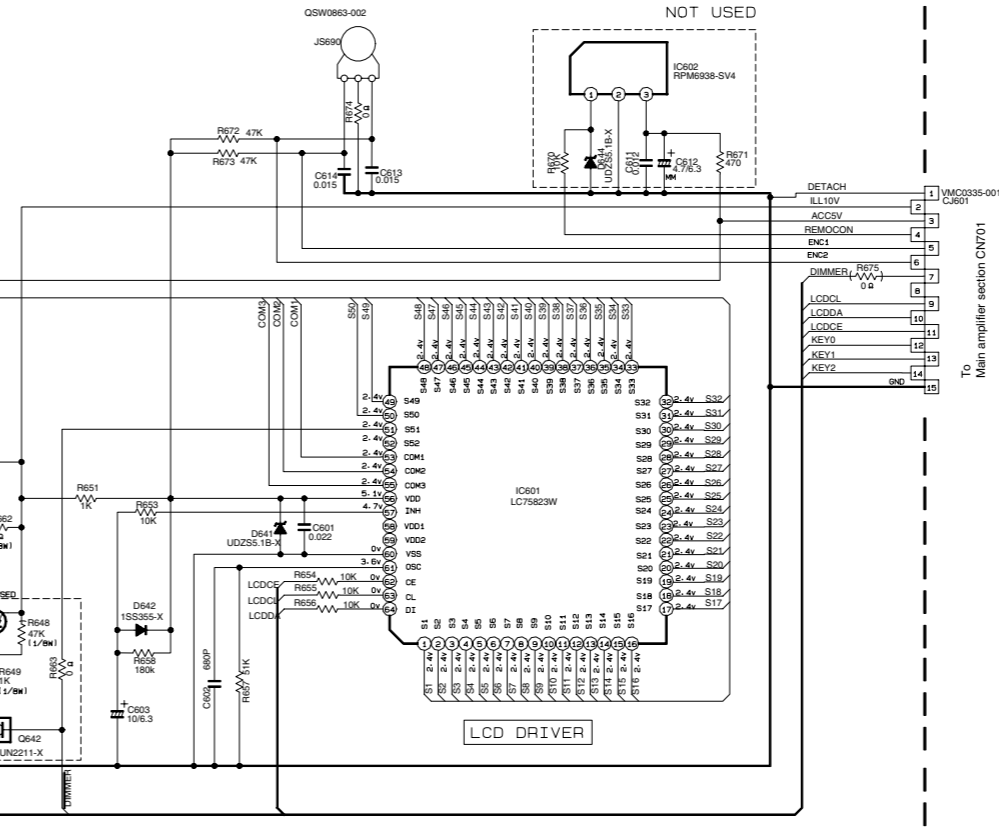
3

2

1



SW PWB GEB10068A



- NOTES
1. VOLTAGES ARE DC-MEASURED WITH A DIGITAL VOLT METER WITHOUT INPUT SIGNAL.
 2. UNLESS OTHERWISE SPECIFIED:
 ALL RESISTOR ARE 1/16W 45% METAL GLAZE RESISTOR.
 ALL CAPACITORS ARE 50V OR 25V CERAMIC CAPACITOR.
 ALL RESISTANCE VALUES ARE IN OHM.
 ALL CAPACITANCE VALUES ARE IN uF (P=PF)
 ALL E. CAPACITORS ARE SHOWN IN THE FORM OF CAPACITANCE(uF)/RATED VOLTAGE
 MM --- TANTAL CAPACITOR.